

Navy/Marine Thermometer
STANDARD FEATURES

- Molded Valox® – V-shaped gray case.
- White aluminum scale with bold black graduations and flanges.
- 2" and 4" stems available.
- 3¼" overall length thermowell (optional) to be used with 2" stem.
- 5¼" overall length thermowell (optional) to be used with 4" stem.
- Red reading with magnifying lens for easy readability.

RANGES

DUAL SCALE	MINOR GRADS	RANGE CODE
-40/110F & -40/43C	2°/2°	D1
20/180F & -5/80C	2°/2°	DØ
30/240F & 0/115C	2°/2°	D5
50/400F & 10/200C	5°/2°	D7

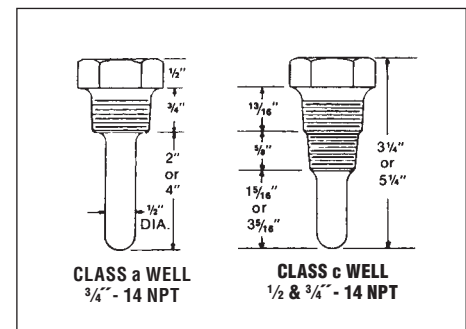
PART NUMBERS*

CONNECTION LOCATION	STEM LENGTHS	
	2"	4"
Lower	S520L	S540L
Back	S520R	S540R

*Include range code (above) at end of above # to complete the part number.


THERMOWELL DIMENSIONS – ¼-28" Female Thread (Internal)

WELL CLASS	STEM LENGTH OF THERMOMETER	OVERALL LENGTH OF WELL	CATALOG #	
			BRASS	304SS
a	2 inch	3¼"	N/A	W3G1
	4 inch	5¼"	N/A	W5G1
c	2 inch	3¼"	W3B3	W3G3
	4 inch	5¼"	W5B3	W5G3


Economy Thermometer
STANDARD FEATURES

- Molded Valox® – V-shaped gray case.
- Red reading spirit filled tube with magnifying lens for easy readability.
- 40/260F and 5/125C is standard range (2°F divisions and 1°C divisions)
- White aluminum scale with bold black graduations and figures.
- 2" stem supplied as standard.
- Supplied standard with removable ½ NPT brass well, 2" length (1.375" insertion).

PART NUMBERS

CONNECTION LOCATION	2" STEM
Lower	E520L
Back	E520R

