

Z-6000 Series Flowmeter (Mount in any position)

Specifications

Accuracy : ±6%

Tube material : Polycarbonate (PC) or
: Polysulfone (PSU)

Pressure limit PC : 10 bar
PSU : 10 bar

Installation : Any position

Temperature limit PC : 60°C
PSU : 100°C

Connection : Male or female thread
Option : lower/upper alarm switch

Z-6000 series standard

Model	Water flow range		Air flow range		Connection
	GPM	LPM	GPM	LPM	
Z-6011	0.5-5	2-20	18-180	60-600	½" FNPT, ¾" MNPT
Z-6012	1-7	3-25	20-200	70-700	
Z-6013	1-10	4-35	25-250	100-1000	¾" FNPT, 1" MNPT
Z-6014	1-16	5-60	35-350	150-1400	¾" FNPT, ¾" MNPT
Z-6015	3-20	10-70	52-520	200-2000	
Z-6016	4-28	10-100	80-800	300-3000	1" MNPT

Z-6000 series with alarm switch

Model	Water flow range		Air flow range		Connection
	GPM	LPM	GPM	LPM	
Z-6011A	0.5-7	2-25	18-180	60-600	½" FNPT
Z-6012A	0.5-9	2-35	20-200	70-700	
Z-6013A	1-13	3-50	25-250	100-1000	¾" MNPT
Z-6014A	3-16	10-60	35-350	150-1400	¾" FNPT
Z-6015A	4-22	15-80	52-520	200-2000	
Z-6016A	5-28	20-100	80-800	300-3000	1" MNPT

Z-6500 series

Model	Water flow range		Connection
	GPM	LPM	
Z-6501	3-25	12-90	1½" FNPT
Z-6502	5-50	20-200	
Z-6503	8-80	30-280	2" FNPT
Z-6504	10-100	40-380	

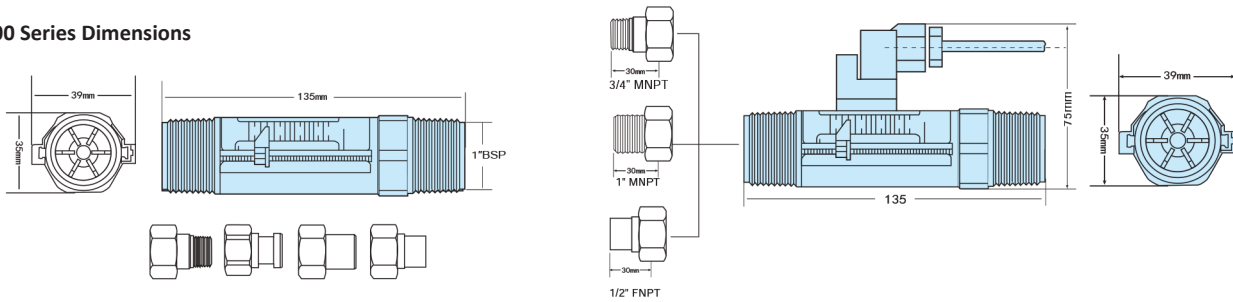


1/2", 3/4" Female

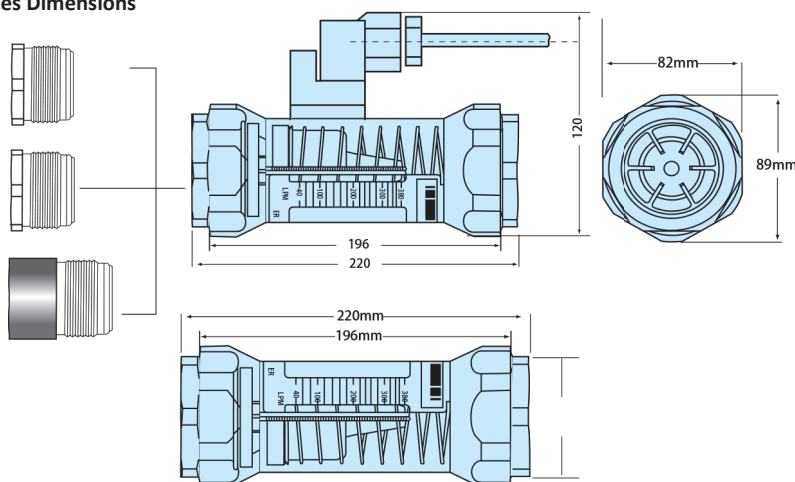


1/2", 3/4" Male

Z-6000 Series Dimensions



Z-6500 Series Dimensions



1 1/2"-2" Female