

G

Z-2001T

Model	Water L/h	Model	Air LPM	Thread (M/BSPT)	Accuracy	Working Pressure	Working temperature °C
Z-2001T1	2-20	Z-2002T1	0.1-1	1/8"	± 6%	<0.4MPa	≤ 55
Z-2001T2	4-40	Z-2002T2	0.2-2				
Z-2001T3	5-50	Z-2002T3	0.5-5				
Z-2001T4	6-60	Z-2002T4	1-10	1/4"			
Z-2001T5	10-100	Z-2002T5	2-20				
		Z-2002T6	5-50				
		Z-2002T7	10-100				

Z-300KT

Model	Measuring range		Thread male	Accuracy	Working Pressure	Working temperature °C
	Water	20 °C				
	GPM	LPM				
KT1	0.1~1	0.5~4	ZG1/2"	± 6%	<0.4MPa	≤ 55
KT2	0.2~2	1~7				
KT3	0.5~5	2~18				
KT4	1~10	5~35	ZG3/4"			
KT5	2~14	10~50				
KT6	2~20	12~70	ZG1"			
KT7	5~35	10~130				

Sizes

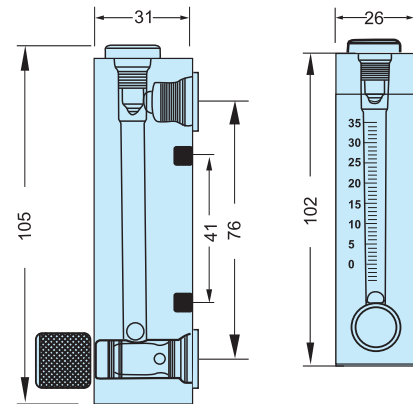
Model	(mm)							
	A	B	C	D	E	F	G	H
T1,T2,T3	168	30	34	176	25	25	127	76
T4,T5, T6,T7	226	45	46	232	48	33	165	100

Z-300T

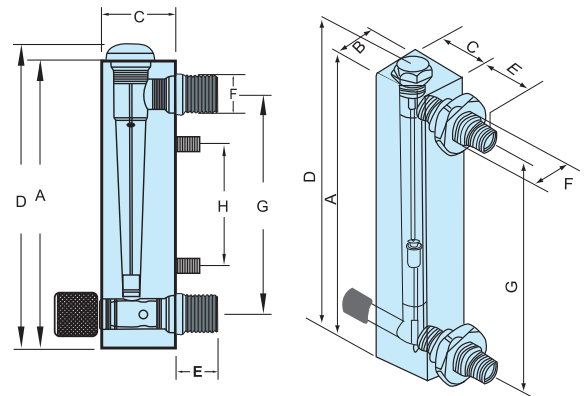
Model	Measuring range		Thread (M/BSPT)	Accuracy	Working Pressure	Working temperature °C
	GPM	LPM				
Z-3000T	0.03~0.35	0.1~1.4	1/2"	± 6%	<0.6MPa	≤ 55
Z-3001T	0.2~2	1~7				
Z-3002T	0.5~5	1.8~18				
Z-3003T	2~10	5~40	3/4"			
Z-3004T	2~16	10~60				

Sizes

Model	(mm)						
	A	B	C	D	E	F	G
Z-3000T	206	34	40	215	31	20	165
Z-3001T							
Z-3002T							
Z-3003T	220	41	45	233	47	33	165
Z-3004T							



Z-2001T



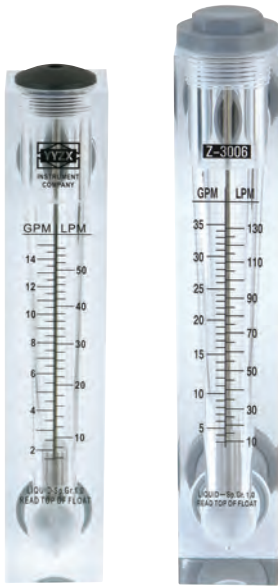
Z-300KT

Z-300T

Note: *The medium of this series flowmeters aren't fit for aromatic hydrocarbon, hydrocarbon oxide, alcohol and other organic solvent.

Z-300/Z-300K Series

Acrylic Panel Flowmeters



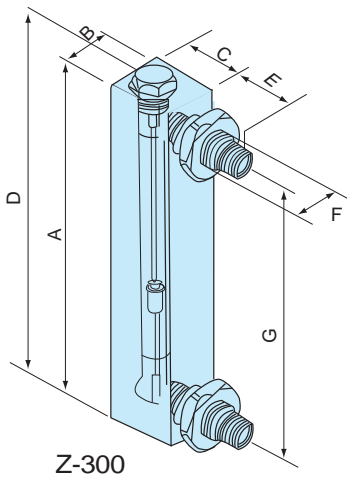
Features

- One piece machined and polished acrylic meter body.
- Acceptable for outdoor installations (direct sunlight okay)
- Bulkhead nuts attach directly to inside panel.
- Available adjustable valve (flow control) easy to assemble.

Specifications

Z-300

Model	Measuring range			Thread	Weights (KG)	Working pressure	Accuracy	Working temperature °C
	GPM	LPM	LPH(optional)					
Z-3000A			10~100					
Z-3000	0.03~0.35	0.1~1.4	25~250	BSP1/2"	0.4	≤ 0.6MPa	±5%	≤55
Z-3001	0.2~2	1~7	50~500					
Z-3002	0.5~5	1.8~18	120~1200	BSP3/4"	0.6			
Z-3003	2~10	5~40	300~2400					
Z-3004	2~16	10~60	500~3500					
Z-3005	4~24	20~100	600~6000	BSP1"	0.7			
Z-3006	5~35	30~130	1400~7000 (1500-10000)					



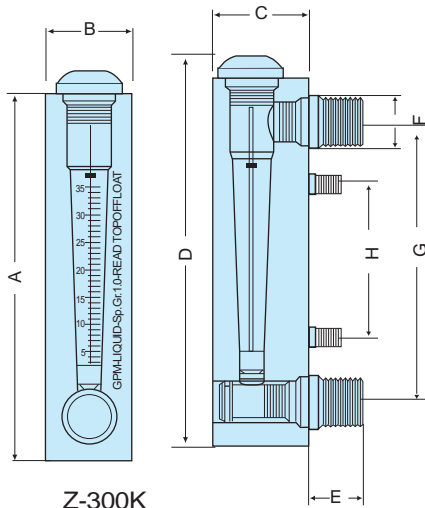
Z-300

Sizes

Model	(mm)						
	A	B	C	D	E	F	G
Z-3000							
Z-3001	206	34	40	215	31	20	165
Z-3002							
Z-3003	220	41	45	233	47	33	165
Z-3004							
Z-3005	240	44	50	253	47	33	175
Z-3006							

Z-300K

Model	Measuring range		Thread	Weight (kg)	Working pressure	Accuracy	Working temperature °C
	GPM	LPM					
K1	0.1~1	0.5~4	ZG1/2"	0.3	≤ 0.6MPa	±5%	≤55
K2	0.2~2	1~7					
K2a	0.3~3	2~11					
K3	0.5~5	2~18					
K4	1~10	5~35	ZG1"	0.6			
K5	2~14	10~50					
K6	2~20	10~70					
K7	5~35	10~130					



Z-300K

Sizes

Model	(mm)							
	A	B	C	D	E	F	G	H
K1 K2 K2a K3	168	30	34	176	25	25	127	76
K4 K5 K6 K7	226	45	46	232	48	33	165	100