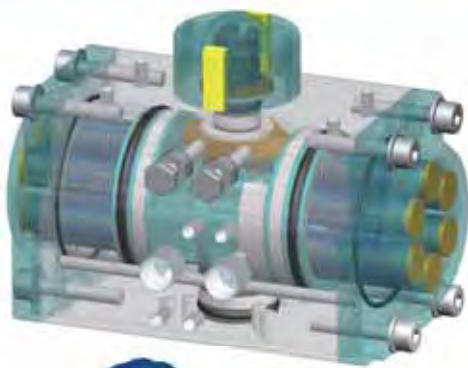


# NUTORK<sup>®</sup>

## Actuators & Valves



### NK Series Rack & Pinion Type Material in Aluminum / 304SS / 316SS Pneumatic Actuator



Hard Anodized



Polyester Coated



Nickel Coated



Halar Coated



PTFE Coated



304SS / 316SS  
body actuators



0-180° Actuator

# NUTORK CORPORATION

### 1. Pressure Ranges

2 bar(29 psig) to 8 bar(116 psig) double acting  
3 bar(44 psig) to 8 bar(116 psig) spring return

### 2. Temperature Ranges

\*Std.(NBR O-rings): -20°C(-4°F) to +80°C(+176°F)  
\*Lower Temp. (HNBR O-rings):-40°C(-40°F) to +80°C(+176°F )  
\*High Temp. (Viton O-rings): -15°C(+5°F) to +150°C(+300°F )

Note: Special grease is required for low and high temperature service condition.

### 3. Wide Range Available

The actuator range consists of 14 sizes, with torques from 9Nm(80in.lbs) to 3,920Nm (34,660in.lbs) at 6 bar (87 psig) air supply.

### 4. Operating Media

Filtered dry or lubricated air for non-corrosive gas, water or light hydraulic oil. The maximum particle size must not exceed 30 microns.

### 5. Stroke Adjustment

0°and 90° with standard adjustment  $\pm 5^\circ$ .



### 6. Lubrication

All moving parts are factory lubricated for entire life cycle of actuator.

### 7. Construction

Twin piston rack and pinion actuator design, suitable for indoor and outdoor installation.

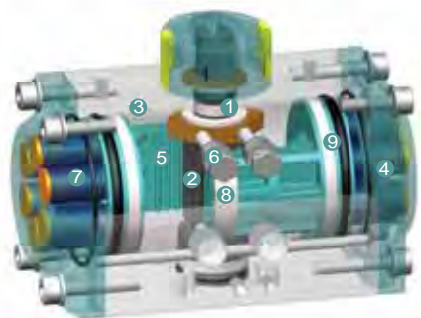
### 8. Connections

Bottom drilling complies with ISO 5211/DIN 3337 to match valve. Interface for solenoid valve, shaft top end and top drilling for assembling accessories are in accordance with VDI/VDE-3845, NAMUR standard.

### 9. Inspection

Every actuator is hydraulically tested, certified and guaranteed for a minimum of 1,000,000 cycles.

## Pneumatic Actuator - Features



### 4. End Caps

Epoxy coated(over 80um) die cast aluminum end caps provide maximum resistance against potentially corrosive elements. Other treatments such as Nickel, Ceramic, PTFE, Polyester coated are available.

### 5. Pistons

The precisely-balanced and hard anodized treatment (over 30um)die cast aluminum pistons are fitted with high quality rings and guides. The twin rack and piston design creates a constant torque output on all actuators.

### 6. Travel Adjustment

The standard adjustment is  $\pm 5^\circ$ in both the open and closed positions through easily accessible external adjustment bolts.

### 7. High Performance Springs

The high tensile steel springs are coated with Epoxy coated for corrosion resistance and longer service. The pre-loaded springs can be safely & rapidly disassembled.

### 8. Bearings & Guides

The highly durable compound material provides high trust stability with minimum friction and long life.

### 9. O-Rings

NBR O-rings provide trouble-free operation at standard temperature ranges. Viton and HNBR O-rings are available for high or low temperature applications.

### 1. Indicator

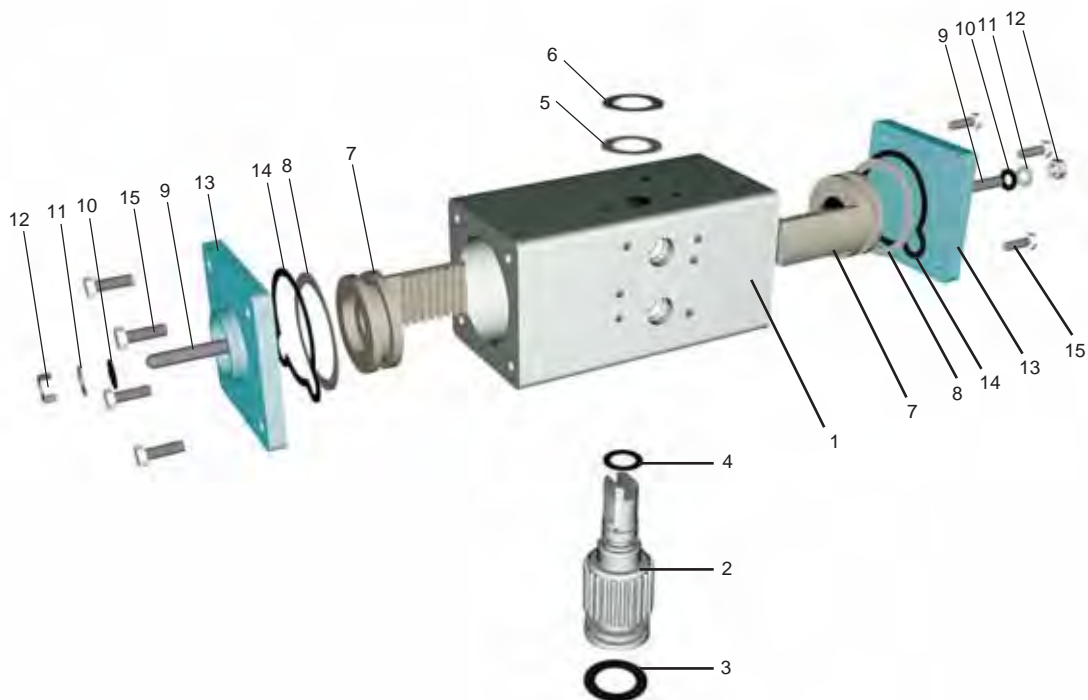
A position indicator with Namur mounting is standard on all NUTORK pneumatic actuators for mounting accessories.

### 2. Pinion

The hardened alloy steel pinion is precision ground and Nickel plated (over 15um) in order to reduce friction, provide maximum wear resistance. Full conformance with the newest standards of ISO5211 & DIN3337. The dimensions can be customized and as options, stainless steel and aluminium alloy are also available.

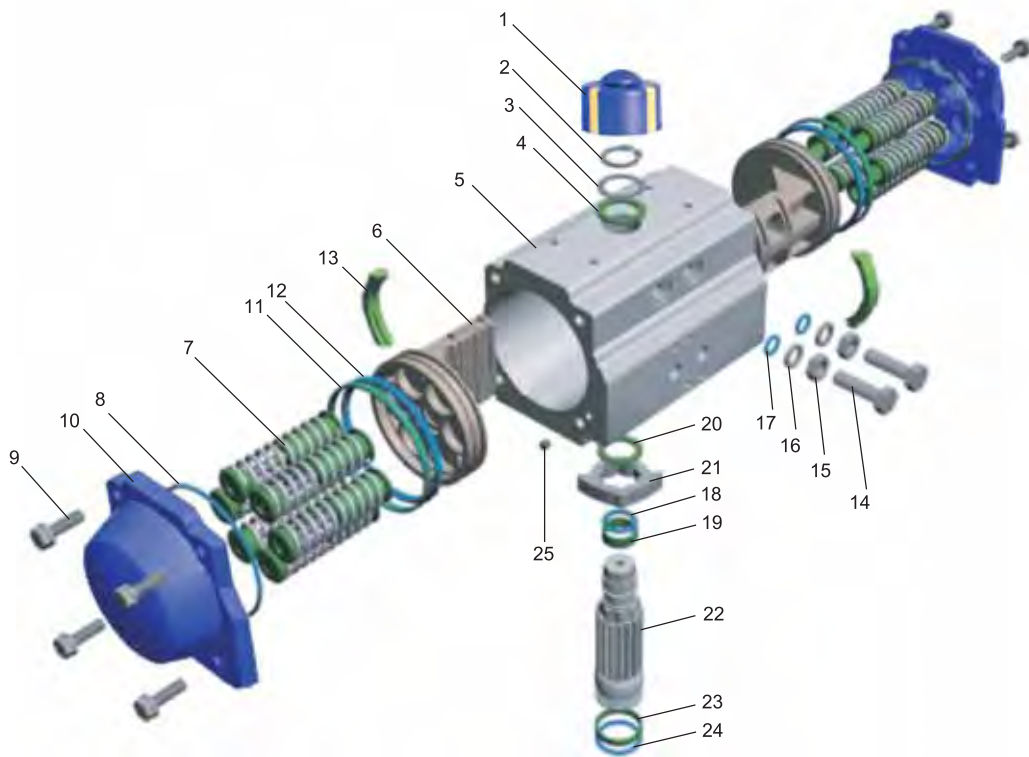
### 3. Actuator Body

The aluminum extrusion is hard anodized(over 30um) to protect against wear and corrosion while reducing piston friction to the absolute minimum. Other options such as Nickel, Ceramic, PTFE, Polyester coated are available.



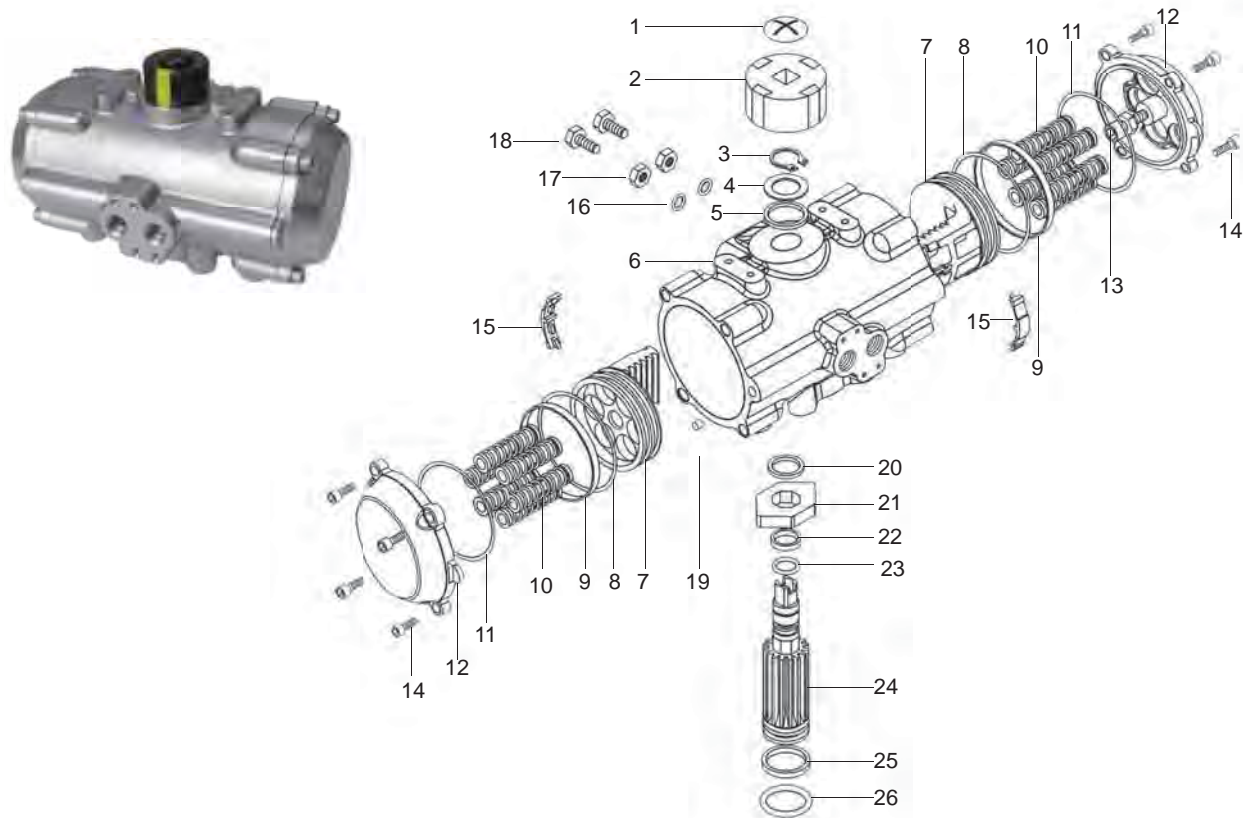
Item	Description	Material	Protection	Q'ty	Optional
1	Actuator Body	Extruded Alluminum Alloy	Hard Anodized (over 30um)	1	Nickel or PTFE coated
2	Pinion	Alloy Steel	Nickel Plated (over 15um)	1	S.S. or Alu.Alloy
3*	O-Ring(Lower Pinion)	NBR		1	Viton / HNBR
4*	O-Ring(Top Pinion)	NBR		1	Viton / HNBR
5	Thrust Bearing(Pinion)	Nylon 66		1	
6	Spring Clip	Stainless Steel		1	
7	Piston	Die Cast Aluminum Alloy	Hard Anodized (over 30um)	2	
8*	Piston Seal	NBR		2	Viton / HNBR
9	Stroke Bolt	Stainless Steel		2	
10*	Stroke Bolt O-Ring	NBR		2	Viton / HNBR
11	Stroke Bolt Washer	Stainless Steel		2	
12	Stroke Bolt Retaining Nut	Stainless Steel		2	
13	End Cap	Die Cast Aluminum	Epoxy Coated (over 80um)	2	Nickel or PTFE coated
14*	End Cap Seals	NBR		2	Viton / HNBR
15	End Cap Bolts	Stainless Steel		8	

\*Note: Recommended spare parts for maintenance.



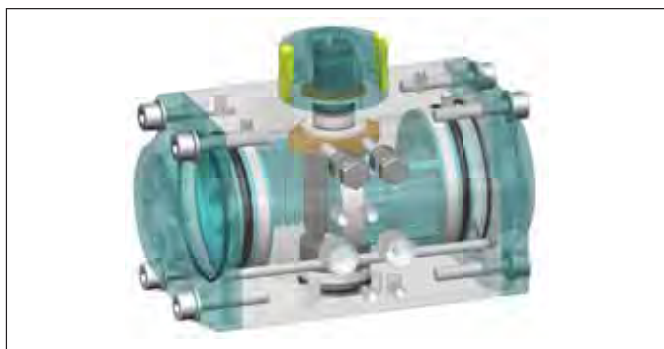
Item	Description	Material	Protection	Q'ty	Optional
1	Indicator	Plastic		1	
2	Spring Clip	Stainless Steel		1	
3	Thrust Washer(Pinion)	Stainless Steel		1	
4	Thrust Bearing(Pinion)	Nylon 66		1	
5	Actuator Body	Extruded Alluminum Alloy	Hard Anodized(over 30um)	1	Nickel or PTFE coated
6	Piston	Die Cast Aluminum Alloy	Hard Anodized(over 30um)	2	
7	Spring(Cartridge)	High Performance Spring Steel	Epoxy Coated	0-12	
8*	End Cap Seals	NBR		2	Viton / HNBR
9	End Cap Bolts	Stainless Steel		8	
10	End Cap	Die Cast Aluminum	Epoxy Coated(over 80um)	2	Nickel or PTFE coated
11*	Piston Bearing	Nylon 66		2	
12*	Piston Seal	NBR		2	Viton / HNBR
13*	Piston Guide	Nylon 66		2	
14	Stroke Bolt	Stainless Steel		2	
15	Stroke Bolt Retaining Nut	Stainless Steel		2	
16	Stroke Bolt Washer	Stainless Steel		2	
17*	Stroke Bolt O-Ring	NBR		2	Viton / HNBR
18*	O-Ring(Top Pinion)	NBR		1	Viton / HNBR
19*	Bearing(Top Pinion)	Nylon 66		1	
20*	Thrust Bearing(Pinion)	Nylon 66		1	
21	Stroke Cam	Stainless Steel		1	
22	Pinion	Alloy Steel	Nickel Plated(over 15um)	1	S.S. or Alu.Alloy
23*	Bearing(Lower Pinion)	Nylon 66		1	
24*	O-Ring(Lower Pinion)	NBR		1	Viton / HNBR
25*	Plug	NBR		2	Viton / HNBR

\* Note: Recommended spare parts for maintenance.



Item	Description	Material	Qty.	Remark
1	Indicator Screw	Plastic	1	
2	Indicator	Plastic	1	
3	Snap Ring	Stainless steel	1	
4	Washer	Stainless steel	1	
5	Outside Washer	Engineering Plastics	1	
6	Body	Stainless steel	1	
7	Piston	Stainless steel	2	
8	Piston O-ring	NBR	2	Note
9	Piston Bearing	Engineering Plastics	2	
10	Spring	Spring Steel	0-12	
	Spring Retainer(L,R)	Nylon 66		
	Retainer Connector	Brass		
11	End-Cap O-ring	NBR	2	Note
12	End-Cap	Stainless steel	2	
13	Stop Screw	Stainless steel	2	
14	End-Cap Stop Screw	Stainless steel	8	
15	Guide Piston	Nylon 66	2	
16	O-ring(Adjust screw)	NBR	2	Note
17	Nut(Adjust screw)	Stainless steel	2	
18	Adjust Screw	Stainless steel	2	
19	Plug	NBR	2	Note
20	Inside Washer	Engineering Plastics	1	
21	Cam	Stainless steel	1	
22	Top Bearing	Engineering Plastics	1	
23	Top O-ring	NBR	1	Note
24	Pinion	Stainless steel	1	
25	Bottom Bearing	Engineering Plastics	1	
26	Bottom O-ring	NBR	1	Note

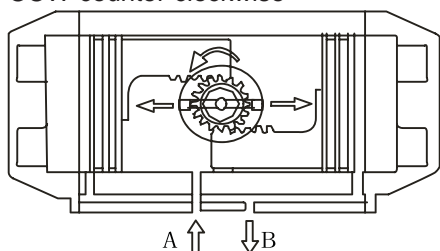
\* Note: Optional material, Viton for high temp. and HNBR for low temp.application



Sizing example of NUTORK double acting actuator:  
 Valve torque 100Nm plus 20% safety factor= 120Nm. Minimum operating pressure 6bar(87psig). By reading down the 6bar(87 psig) column the figure below 120Nm is 135.0Nm, The model number shown in the left hand column is therefore NKD-092.

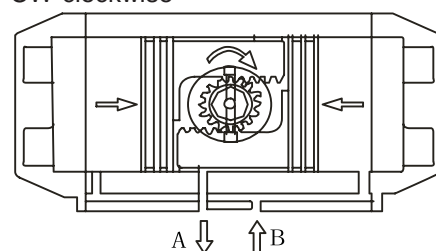
### The operating principle of double acting actuator

CCW-counter-clockwise



Air to port A forces the pistons outwards, causing the piston to turn counter-clockwise while air is being exhausted from port B.

CW-clockwise

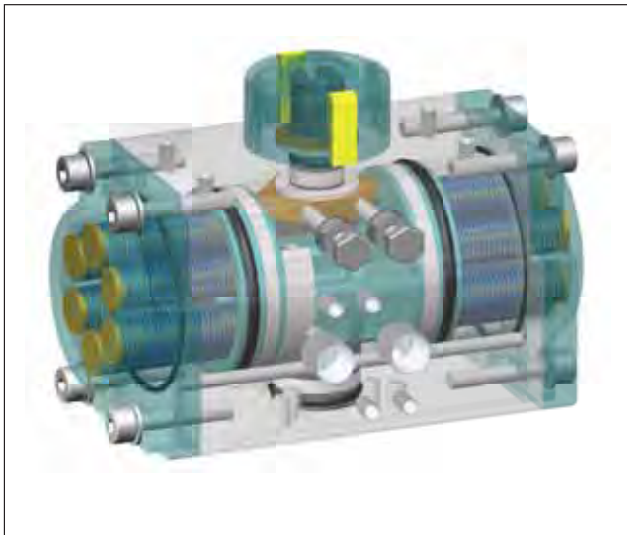


Air to port B forces the pistons inwards, causing the piston to turn clockwise while air is being exhausted from port A.

### Torque Table of Double Acting Actuator

Unit : Nm

Model	Air Supply Pressure(unit:bar)							
	3.0	4.0	4.5	5.0	5.5	6.0	7.0	8.0
	Output Torque(Nm)							
NKD-032	4.6	6.1	6.9	7.6	8.4	9.2	10.7	12.2
NKD-052	12.0	16.0	18.0	20.0	21.9	23.9	27.9	31.9
NKD-063	21.9	29.2	32.8	36.5	40.1	43.8	51.1	58.4
NKD-075	30.1	40.1	45.1	50.2	55.2	60.2	70.2	80.3
NKD-083	47.0	62.7	70.5	78.4	86.2	94.1	109.7	125.4
NKD-092	67.7	90.3	101.6	112.9	124.1	135.4	158.0	180.6
NKD-105	99	132	149	165	182	198	231	265
NKD-125	151	201	226	251	276	301	351	401
NKD-140	257	342	385	428	470	513	599	684
NKD-160	399	532	599	665	732	798	931	1064
NKD-190	638	851	958	1064	1170	1277	1490	1702
NKD-210	798	1064	1197	1330	1463	1596	1862	2128
NKD-240	1154	1539	1731	1924	2116	2309	2693	3078
NKD-270	1755	2339	2632	2924	3217	3509	4094	4679
NKD-300	2029	2729	3079	3429	3779	4129	4829	5528
NKD-350	3012	4050	4570	5089	5608	6128	7166	8205
NKD-400	4589	6172	6963	7755	8546	9337	10920	12502



Sizing example of NUTORK spring return actuator:

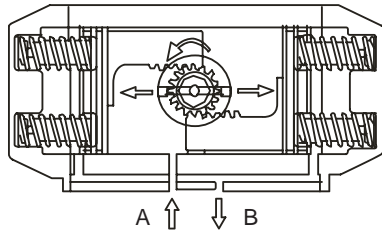
Spring to close when air fails(air to open):

Valve torque 60Nm plus 20% safety factor = 72Nm. Minimum operating pressure: 6bar(87psig). The spring return NUTORK actuator selected is NKS-105-12.The NKS-105-12 has the following output torques:

- 1.air torque 0°(valve close) = 122.5Nm > 72Nm
- 2.air torque 90°(valve open) = 80.6Nm
- 3.spring torque 90° (valve open) = 118.1Nm
- 4.spring torque 0°(valve close) = 75.9Nm > 72Nm

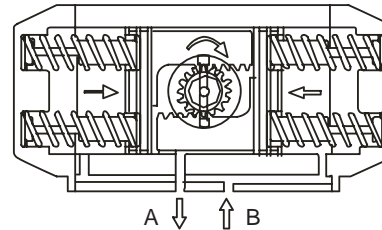
### The operating principle of single acting spring return actuator

CCW-counter-clockwise



Air to port A forces the pistons outwards, causing the springs to compress. The pinion turns counter-clockwise while air is being exhausted through port B.

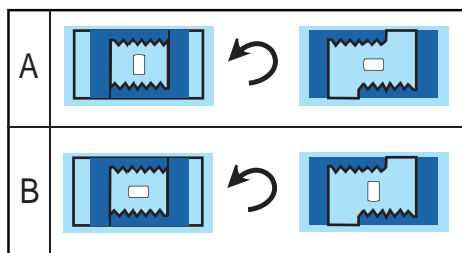
CW-clockwise



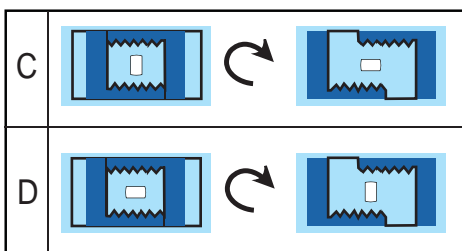
Loss of air pressure through port A allows the stored energy in the springs to force the pistons inwards. The pinion turns clockwise while air is being exhausted through port A.

### Mounting Variations

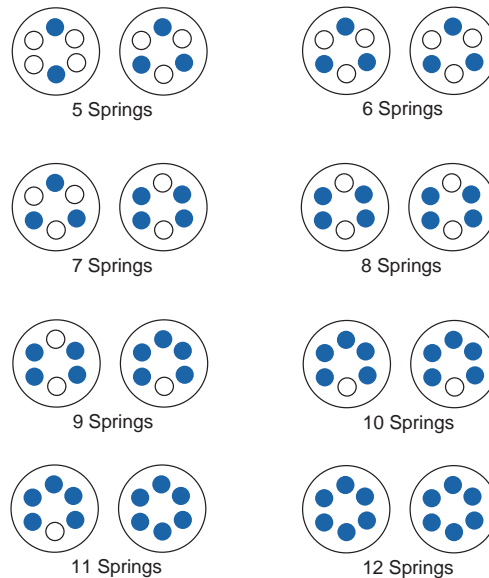
CCW-counter-clockwise



CW-clockwise



### Spring Arrangement



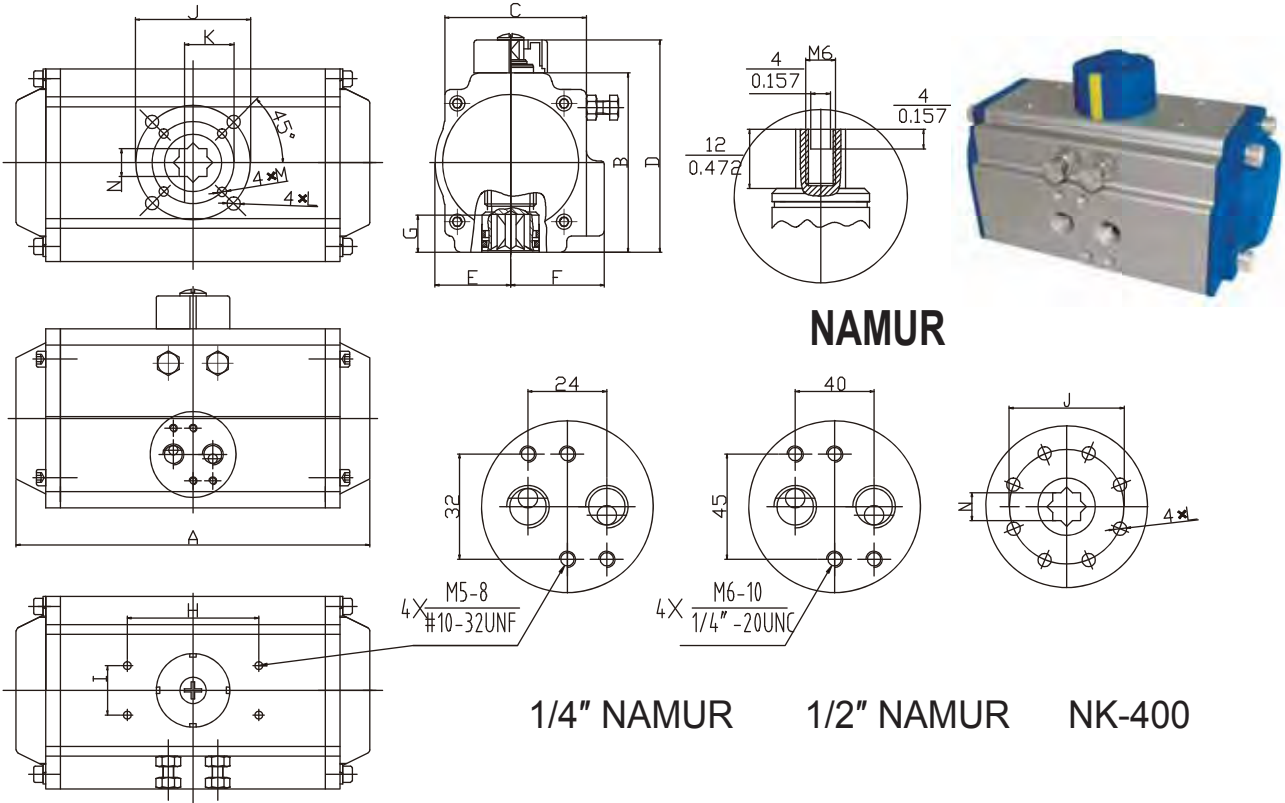
unit:Nm

Model	Spring Set	Spring Torque (Nm)		Air Supply Pressure(Unit:bar)													
				2.5		3.0		4.0		5.0		6.0		7.0		8.0	
				Air Torque Output(Nm)													
		0°	90°	0°	90°	0°	90°	0°	90°	0°	90°	0°	90°	0°	90°	0°	90°
NKS-052	5	4.3	6.2	5.7	3.8	7.6	5.7	---	---	---	---	---	---	---	---	---	---
	6	5.0	7.4	4.9	2.5	6.9	4.5	10.9	8.5	---	---	---	---	---	---	---	---
	7	5.9	8.6	4.0	1.3	6.0	3.3	9.8	7.3	14.0	10.4	---	---	---	---	---	---
	8	6.7	9.9	---	---	5.2	2.0	9.2	6.0	13.2	9.1	17.2	14.1	---	---	---	---
	9	7.6	11.1	---	---	4.3	0.8	8.3	4.8	12.3	7.9	16.3	12.8	20.3	16.8	---	---
	10	8.5	12.4	---	---	---	---	7.4	3.6	11.5	6.7	15.5	11.6	19.5	15.6	---	---
	11	9.3	13.6	---	---	---	---	6.6	2.3	10.6	5.4	14.6	10.4	18.6	14.3	22.6	18.3
12	10.2	14.8	---	---	---	---	---	---	9.7	4.2	13.8	9.1	17.8	12.2	21.8	17.1	
NKS-063	5	6.8	10.4	14.1	7.7	15.0	11.4	22.3	14.9	---	---	---	---	---	---	---	---
	6	8.2	12.5	10.1	5.7	13.6	9.3	20.9	16.6	28.3	23.9	---	---	---	---	---	---
	7	9.6	14.6	8.6	3.6	12.5	7.2	19.5	14.5	26.8	21.9	---	---	---	---	---	---
	8	10.9	16.7	---	---	10.9	5.1	18.2	12.4	25.5	19.8	32.8	27.0	40.1	34.3	---	---
	9	12.3	18.8	---	---	---	---	16.8	10.4	24.1	17.7	31.4	24.9	38.7	32.2	---	---
	10	13.7	20.9	---	---	---	---	11.4	8.2	22.8	15.6	30.0	22.8	37.3	30.1	44.7	37.4
	11	15.0	22.9	---	---	---	---	---	---	21.5	13.5	28.7	20.7	36.0	28.0	43.3	35.3
12	16.4	25.0	---	---	---	---	---	---	20.0	11.4	27.3	18.6	34.6	25.9	41.9	33.3	
NKS-075	5	10.5	14.5	14.5	10.6	19.4	15.5	29.5	25.7	---	---	---	---	---	---	---	---
	6	12.7	17.4	12.4	7.6	17.3	12.6	27.4	22.7	37.5	32.8	---	---	---	---	---	---
	7	14.8	20.3	10.4	4.8	15.2	9.7	25.3	19.9	35.4	29.9	---	---	---	---	---	---
	8	16.9	23.2	---	---	13.1	6.8	23.1	16.9	33.3	27.0	43.2	37.0	53.3	47.0	---	---
	9	19.0	26.1	---	---	---	---	21.0	14.1	31.2	24.1	41.1	34.1	51.2	44.2	---	---
	10	21.1	29.0	---	---	---	---	19.0	11.1	28.8	21.2	39.0	31.2	49.1	41.2	59.1	51.2
	11	23.2	31.9	---	---	---	---	---	---	27.0	18.3	37.0	28.3	47.0	38.4	57.0	48.4
12	25.3	34.7	---	---	---	---	---	---	24.9	15.4	34.9	25.4	44.9	35.4	54.9	45.4	
NKS-083	5	15.8	23.0	23.7	16.1	31.1	24.0	46.8	37.9	---	---	---	---	---	---	---	---
	6	19.0	27.6	20.1	11.5	28.0	19.3	43.7	35.1	59.4	50.7	---	---	---	---	---	---
	7	22.1	32.2	17.0	6.9	24.8	14.8	40.5	30.5	56.2	46.2	---	---	---	---	---	---
	8	25.3	36.8	---	---	21.7	10.1	37.4	25.8	53.1	41.5	68.8	57.2	84.5	72.9	---	---
	9	28.5	41.4	---	---	---	---	34.2	21.3	49.9	37.0	65.6	52.6	81.2	68.3	---	---
	10	31.6	46.0	---	---	---	---	31.0	16.6	46.7	32.3	62.4	48.0	78.1	63.7	93.8	79.3
	11	34.8	50.6	---	---	---	---	---	---	43.6	27.7	59.3	43.4	75.0	59.1	90.6	74.8
12	38.0	55.2	---	---	---	---	---	---	40.4	23.2	56.1	38.9	71.7	54.5	87.4	70.2	
NKS-092	5	23.3	34.4	33.1	22.0	44.2	33.2	66.8	55.9	---	---	---	---	---	---	---	---
	6	28.0	41.2	28.4	15.2	39.6	26.4	62.2	49.0	84.8	71.6	---	---	---	---	---	---
	7	32.7	48.1	23.8	8.2	34.9	19.4	57.5	42.1	80.2	64.7	---	---	---	---	---	---
	8	37.3	55.0	---	---	31.3	12.6	52.9	35.2	75.5	57.9	98.1	80.5	120.7	103.0	---	---
	9	42.0	61.9	---	---	---	---	48.2	28.4	70.9	51.0	93.5	73.6	116.0	96.1	---	---
	10	46.7	68.7	---	---	---	---	43.6	21.5	66.2	44.1	88.8	66.7	111.3	89.2	134.0	111.8
	11	51.4	75.6	---	---	---	---	---	---	61.5	37.2	84.1	59.9	106.6	82.4	129.2	105.0
12	56.0	82.5	---	---	---	---	---	---	56.8	30.4	79.4	53.0	101.9	75.5	124.5	98.1	
NKS-105	5	31.6	49.2	51.0	33.4	67.5	49.9	100.6	83.0	---	---	---	---	---	---	---	---
	6	38.0	59.1	44.7	23.5	61.1	40.0	94.2	73.2	127.3	106.2	---	---	---	---	---	---
	7	44.3	68.9	38.4	13.7	54.9	30.3	87.9	63.4	121.0	96.4	---	---	---	---	---	---
	8	50.6	78.7	---	---	48.5	20.4	81.6	53.5	114.7	86.5	147.7	119.6	180.8	152.7	---	---
	9	56.9	88.6	---	---	---	---	75.3	43.7	108.4	76.8	141.5	109.8	174.5	142.9	---	---
	10	63.3	98.4	---	---	---	---	68.9	33.4	102.0	66.5	135.1	99.6	168.2	132.6	201.2	165.7
	11	69.6	108.3	---	---	---	---	---	---	95.7	57.0	128.7	90.1	161.8	123.1	194.8	156.2
12	75.9	118.1	---	---	---	---	---	---	89.4	47.5	122.5	80.6	155.5	113.6	188.6	146.7	
NKS-125	5	52	79	73	47	98	72	148	122	---	---	---	---	---	---	---	---
	6	63	94	63	31	88	56	138	107	188	157	---	---	---	---	---	---
	7	73	110	52	15	77	40	127	90	178	141	---	---	---	---	---	---
	8	84	125	---	---	67	25	117	75	167	125	217	176	268	226	---	---
	9	94	141	---	---	---	---	107	59	157	109	207	159	257	210	---	---
	10	105	157	---	---	---	---	96	44	146	94	196	144	247	194	297	245
	11	115	173	---	---	---	---	---	---	136	78	186	128	236	178	286	228
12	125	188	---	---	---	---	---	---	125	63	176	113	226	163	276	213	
NKS-140	5	86	129	128	85	171	127	256	213	---	---	---	---	---	---	---	---
	6	103	155	111	59	154	102	239	187	325	273	---	---	---	---	---	---
	7	120	181	94	33	137	76	222	162	308	247	---	---	---	---	---	---
	8	137	206	---	---	120	50	205	136	291	221	376	307	462	392	---	---
	9	155	232	---	---	---	---	187	110	273	196	358	281	444	367	---	---
	10	172	258	---	---	---	---	170	84	256	169	341	255	427	340	512	426
	11	189	284	---	---	---	---	---	---	238	143	324	229	409	314	495	400
12	206	310	---	---	---	---	---	---	221	118	307	203	392	289	478	374	



unit:Nm

Model	Spring Set	Spring Torque (Nm)		Air Supply Pressure(Unit:bar)													
				2.5		3.0		4.0		5.0		6.0		7.0		8.0	
				Air Torque Output(Nm)													
		0°	90°	0°	90°	0°	90°	0°	90°	0°	90°	0°	90°	0°	90°	0°	90°
NKS-160	5	140	208	193	124	259	191	392	324	---	---	---	---	---	---	---	---
	6	168	250	165	83	232	149	365	282	498	415	---	---	---	---	---	---
	7	196	292	137	41	203	107	336	240	469	373	---	---	---	---	---	---
	8	223	333	---	---	176	66	309	199	442	332	575	465	708	598	---	---
	9	251	375	---	---	---	---	280	157	413	290	546	423	679	556	---	---
	10	279	417	---	---	---	---	253	115	386	248	519	381	652	514	785	647
	11	307	458	---	---	---	---	---	---	358	207	491	340	624	473	757	606
	12	335	500	---	---	---	---	---	---	330	165	463	298	596	431	729	564
NKS-190	5	200	309	332	222	438	329	651	542	---	---	---	---	---	---	---	---
	6	240	371	292	161	398	267	611	480	824	693	---	---	---	---	---	---
	7	280	433	252	99	358	205	571	418	784	631	---	---	---	---	---	---
	8	320	495	---	---	318	143	531	356	744	569	957	782	1169	995	---	---
	9	360	557	---	---	---	---	491	295	704	507	917	720	1130	933	---	---
	10	400	618	---	---	---	---	451	233	664	446	877	658	1090	871	1302	1084
	11	440	680	---	---	---	---	---	---	624	384	837	597	1050	809	1263	1022
	12	480	742	---	---	---	---	---	---	584	322	797	535	1010	748	1223	960
NKS-210	5	275	380	390	285	523	418	789	684	---	---	---	---	---	---	---	---
	6	330	456	335	209	468	342	734	608	1000	874	---	---	---	---	---	---
	7	385	532	280	133	413	266	679	532	945	798	---	---	---	---	---	---
	8	440	608	---	---	358	190	624	456	890	722	1156	988	1422	1254	---	---
	9	495	684	---	---	---	---	569	380	835	646	1101	912	1367	1178	---	---
	10	550	760	---	---	---	---	514	304	780	570	1046	836	1312	1102	1578	1368
	11	605	836	---	---	---	---	---	---	725	494	991	760	1257	1026	1523	1292
	12	660	912	---	---	---	---	---	---	670	418	936	684	1202	950	1468	1216
NKS-240	5	410	554	552	409	744	600	1129	985	---	---	---	---	---	---	---	---
	6	490	665	470	297	662	489	1047	874	1432	1259	---	---	---	---	---	---
	7	575	775	388	187	580	379	964	764	1349	1149	---	---	---	---	---	---
	8	656	886	---	---	498	268	883	653	1267	1037	1652	1422	2037	1807	---	---
	9	739	998	---	---	---	---	800	542	1185	926	1569	1311	1954	1696	---	---
	10	821	1108	---	---	---	---	718	431	1103	816	1488	1201	1872	1586	2257	1970
	11	903	1219	---	---	---	---	---	---	1021	705	1406	1090	1791	1471	2176	1859
	12	985	1330	---	---	---	---	---	---	939	594	1323	979	1708	1363	2093	1748
NKS-270	5	560	787	903	675	1195	968	1779	1552	---	---	---	---	---	---	---	---
	6	672	943	790	519	1083	811	1667	1396	2252	1981	---	---	---	---	---	---
	7	783	1101	679	361	972	654	1556	1238	2141	1823	---	---	---	---	---	---
	8	895	1258	---	---	860	479	1444	1081	2029	1666	2614	2252	3199	2836	---	---
	9	1007	1416	---	---	---	---	1332	923	1917	1509	2502	2094	3087	2678	---	---
	10	1119	1572	---	---	---	---	1220	767	1805	1352	2390	1937	2974	2521	3560	3107
	11	1231	1730	---	---	---	---	---	---	1693	1197	2278	1779	2862	2364	3448	2949
	12	1342	1887	---	---	---	---	---	---	1582	1037	2167	1623	2751	2207	3336	2792
NKS-300	5	691	1032	988	647	1338	998	2038	1697	---	---	---	---	---	---	---	---
	6	829	1238	849	440	1200	791	1900	1491	2600	2191	---	---	---	---	---	---
	7	968	1445	---	---	1062	585	1762	1285	2461	1984	---	---	---	---	---	---
	8	1106	1651	---	---	---	---	1623	1078	2323	1778	3023	2478	4423	3178	---	---
	9	1244	1857	---	---	---	---	1485	872	2185	1572	2885	2271	4284	2971	---	---
	10	1382	2064	---	---	---	---	---	---	2047	1365	2747	2065	4146	2765	4146	3465
	11	1520	2270	---	---	---	---	---	---	1909	1159	2608	1859	4008	2558	4008	3258
	12	1659	2477	---	---	---	---	---	---	---	---	2470	1652	3870	2352	3870	3052
NKS-350	5	994	1476	1498	1017	2018	1536	3056	2575	---	---	---	---	---	---	---	---
	6	1193	1771	---	---	1819	1241	2857	2280	3896	3318	---	---	---	---	---	---
	7	1392	2066	---	---	1620	946	2658	1985	3697	3023	---	---	---	---	---	---
	8	1591	2361	---	---	---	---	2460	1690	3498	2728	4537	3767	5575	4805	---	---
	9	1790	2656	---	---	---	---	2261	1395	3299	2433	4338	3472	5376	4510	---	---
	10	1989	2951	---	---	---	---	2062	1100	3100	2138	4139	3177	5177	4215	6216	5254
	11	2188	3246	---	---	---	---	---	---	2902	1843	3940	2882	4979	3920	6017	4959
	12	2386	3541	---	---	---	---	---	---	2703	1548	3741	2586	4780	3625	5818	4664
NKS-400	5	1471	2148	2328	1651	3119	2442	4701	4024	---	---	---	---	---	---	---	---
	6	1765	2577	---	---	2825	2012	4407	3595	5990	5177	---	---	---	---	---	---
	7	2059	3007	---	---	2531	1583	4113	3165	5696	4748	---	---	---	---	---	---
	8	2353	3436	---	---	---	---	3819	2736	5402	4318	6984	5901	8567	7483	---	---
	9	2647	3866	---	---	---	---	3525	2306	5108	3889	6690	5471	8273	7054	---	---
	10	2941	4295	---	---	---	---	3231	1877	4813	3459	6396	5042	7979	6624	9561	8207
	11	3235	4725	---	---	---	---	---	---	4519	3030	6102	4612	7685	6195	9267	7777
	12	3529	5154	---	---	---	---	---	---	4225	2600	5808	4183	7390	5765	8973	7348

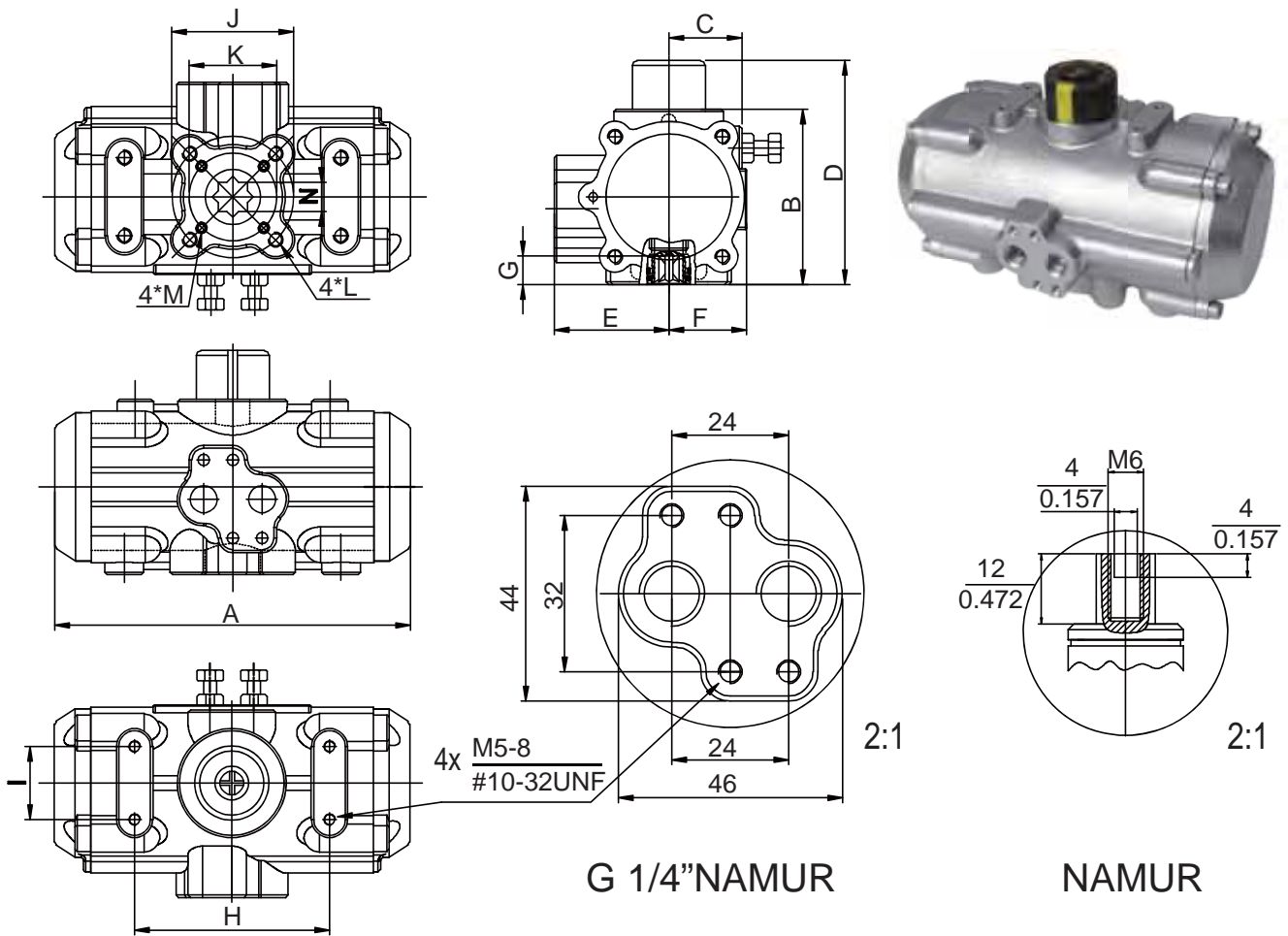


Dimension Table

Unit:  $\frac{\text{mm}}{\text{inch}}$

Model	A	B	C	D	E	F	G	H	I	N	J	K	L	M	Air Connection
NK-032	110	45	45	65	22.5	22.5	11	50	25	9	F03	---	M5*7.5	---	1/8"
	4.33	1.77	1.77	2.65	0.89	0.89	0.89	1.97	0.98	0.35		#10-24UNF			
NK-052	146	72	60	92	26	41.5	14	80	30	11	F05	F03	M6*10	M5*7.5	1/8" or 1/4"(std)
	5.74	2.83	2.36	3.62	1.02	16.33	0.55	3.15	1.18	0.43		1/4"-20UNC	#10-24UNF		
NK-063	169	88	69.5	108	33.5	47	17	80	30	14	F07	F05	M8*13	M6*10	1/8" or 1/4"(std)
	6.65	3.46	27.36	2.25	1.31	1.85	0.66	3.15	1.18	0.55		5/16"-20UNC	1/4"-20UNC		
NK-075	186	100	78	120	39	53	17	80	30	14	F07	F05	M8*13	M6*10	1/8" or 1/4"(std)
	7.32	3.93	3.07	4.72	1.53	2.08	0.66	3.15	1.18	0.55		5/16"-20UNC	1/4"-20UNC		
NK-083	210	109	86	129	40	57	20	80	30	17	F07	F05	M8*13	M6*10	1/8" or 1/4"(std)
	8.26	4.29	3.38	5.07	1.57	2.24	0.79	3.15	1.18	0.67		5/16"-20UNC	1/4"-20UNC		
NK-092	264	117	90.5	137	44.5	58.5	20	80	30	17	F07	F05	M8*13	M6*10	1/8" or 1/4"(std)
	10.39	4.6	3.56	5.39	1.75	2.3	0.79	3.15	1.18	0.67		5/16"-20UNC	1/4"-20UNC		
NK-105	272	133	104	153	52	64	26	80	30	22	F10	F07	M10*16	M8*13	1/4"
	10.7	5.23	4.09	6.02	2.04	2.51	1.02	3.15	1.18	0.87		3/8"-20UNC	5/16"-20UNC		
NK-125	302	155	120	185	60	74.5	25	130	30	22	F10	F07	M10*16	M8*13	1/4"
	11.88	6.1	4.72	7.28	2.36	2.93	0.98	5.11	1.18	0.87		3/8"-20UNC	5/16"-20UNC		
NK-140	398	172	125	202	65	77	30	130	30	27	F12	F10	M12*20	M10*16	1/4"
	15.66	6.77	4.92	7.95	2.55	3.03	1.18	5.11	1.18	1.06		1/2"-20UNC	3/8"-20UNC		
NK-160	456	197	142	227	74	87	30	130	30	27	F12	F10	M12*20	M10*16	1/4"
	17.95	7.75	5.59	8.93	2.91	3.42	1.18	5.11	1.18	1.06		1/2"-20UNC	3/8"-20UNC		
NK-190	534	230	172	260	86	103	40	130	30	36	F14	---	M16*20	---	1/4"
	21.02	9.05	6.77	10.23	3.38	4.05	1.57	5.11	1.18	1.42		5/8"-20UNC			
NK-210	536	255	194	285	97	113	43	130	30	36	F14	---	M16*20	---	1/4"
	21.1	10.03	7.63	1.12	3.81	4.44	1.69	5.11	1.18	1.42		5/8"-20UNC			
NK-240	612	290	230	320	115	130	50	130	30	46	F16	---	M20*25	---	1/4" or 3/8"(std)
	24.09	11.41	9.05	12.59	4.52	5.11	1.97	5.11	1.18	1.81		3/4"-20UNC			
NK-270	718	330	252	360	126	147	50	130	30	46	F16	---	M20*25	---	1/2"
	28.26	12.99	9.92	14.17	4.96	5.78	1.97	5.11	1.18	1.81		3/4"-20UNC			
NK-300	784	354	335	384	162	173	50	130	30	46	F16	---	M20*25	---	1/2"
	30.86	13.93	13.2	15.11	6.37	6.8	1.97	5.11	1.18	1.81		3/4"-20UNC			
NK-350	845	410	385	440	190	195	50	130	30	46	F16	---	M20*25	---	1/2"
	33.26	16.14	15.15	17.32	7.48	7.67	1.97	5.11	1.18	1.81		3/4"-20UNC			
NK-400	956	466	520	496	260	260	60	130	30	55	F25	---	M16*20	---	1/2"
	37.63	18.34	20.47	19.52	10.23	10.23	2.36	5.11	1.18	2.16		5/8"-20UNC			

\* Dimensions for reference only, subject to change.



Dimension Table

Unit: mm  
inch

Model	A	B	C	D	E	F	G	H	I	N	J	K	L	M	Air Connection
NK-SS-052	146	72	30	92	47	32	14	80	30	11	F05	F03	M6x10	M5x7.5	G 1/4"
	5.7	2.8	1.2	3.6	1.9	1.3	0.6	3.1	1.9	0.4			1/4"-20UNC	#10-24UNF	
NK-SS-063	173	88	36	108	54	38	18	80	30	14	F07	F05	M8x13	M6x10	G 1/4"
	6.8	3.5	1.4	4.3	2.1	1.5	0.7	3.1	1.2	0.6			5/16"-18UNC	1/4"-32UNC	
NK-SS-083	204	108	48	128	65.5	48	21	80	30	17	F07	F05	M8x13	M6x12	G 1/4"
	8.0	4.3	1.9	5	2.6	1.9	0.8	3.1	1.2	0.7			5/16"-20UNC	1/4"-20UNC	
NK-SS-105	270	133	50	153	77	60	26	80	30	22	F10	F07	M8x13	M8x13	G 1/4"
	10.1	5.2	2	6	3	2.4	1	3.2	1.2	0.87			3/8"-16UNC	5/16"-18UNC	
NK-SS-125	302	155	58	175	87	69.5	27.6	130	30	22	F102	F07	M10x16	M8x13	G 1/4"
	11.89	6.1	2.3	6.9	3.4	2.7	1	5.1	1.2	0.87			3/8"-16UNC	5/16"-20UNC	
NK-SS-140	394	172	69	192	95.5	77	32	130	30	27	F12	F10	M12x20	M10x16	G 1/4"
	15.5	6.8	2.7	7.6	3.76	3	1.26	5.1	1.2	1.1			1/2"-12UNC	3/8"-16UNC	
NK-SS-160	456	198	75	218	106	87	34	130	30	27	F12	F10	M12x20	M10x16	G 1/4"
	18	7.8	2.95	8.6	4.2	3.4	1.3	5.1	1.2	1.1			1/2"-12UNC	3/8"-16UNC	
NK-SS-210	568	257	90	287	133	113	40	130	30	36	F14		M16x24		G 1/4"
	22.3	10.1	3.5	11.3	5.2	4.4	1.6	5.1	1.2	1.4			5/8"-11UNC		

\* Dimensions for reference only, subject to change.

## Air Consumption - Air Volume Opening & Closing

(Model)	Air Volume @Opening(liter)	Air Volume @Closing(liter)	(Model)	Air Volume @Opening(liter)	Air Volume @Closing(liter)
NK-32	0.03	0.04	NK-160	3.7	3.2
NK-52	0.12	0.16	NK-190	5.9	5.4
NK-63	0.21	0.23	NK-210	7.5	7.5
NK-75	0.3	0.34	NK-240	11	9
NK-83	0.43	0.47	NK-270	17	14
NK-92	0.64	0.73	NK-300	19.1	28.2
NK-105	0.95	0.88	NK-350	27.7	44.1
NK-125	1.6	1.4	NK-400	42.8	62.1
NK-140	2.5	2.2			

Air consumption rest with Air supply. Air volume and Action cycle times, expressions

$L/Min = \text{Air volume}(\text{Air volume Opening} + \text{Air Volume Closing}) \times [(\text{Air Supply (Kpa)} + 101.3) / 101.3] \times \text{Action cycle time (min)}$

## Weight (kg)

Model	NK-32	NK-52	NK-63	NK-75	NK-83	NK-92	NK-105	NK-125	NK-140	NK-160	NK-190	NK-210	NK-240	NK-270	NK-300	NK-350	NK-400
DA	0.47	1.38	2.03	2.7	3.13	4.6	6.77	8.9	13.25	20.14	31.3	46.8	67.28	96.9	108	146.7	220.5
S	---	1.45	2.05	2.9	3.6	5.22	6.85	10.11	15.55	24	35.25	54.8	80.2	118	135.6	188.1	283.5

## Operation Time (Second)

	NK-32	NK-52	NK-63	NK-75	NK-83	NK-92	NK-105	NK-125	NK-140	NK-160	NK-190	NK-210	NK-240	NK-270	NK-300	NK-350	NK-400
DA(0°-90°)	0.3	0.6	0.66	0.72	0.83	1	1.35	2.4	2.5	3.93	4.55	5.5	8.4	10.9	5	6.2	7.5
DA(90°-0°)	0.4	0.53	0.58	0.64	0.73	0.86	1.3	1.79	2.1	2.6	3.45	4.35	8.33	8.53	6	7.2	8.5
SR6(0°-90°)	---	2.46	2.54	2.62	2.71	2.89	3.14	4.24	4.4	4.74	5.75	8.25	16.2	17.6	Please contact Nutork		
SR6(90°-0°)	---	0.48	0.56	0.64	0.73	0.86	0.91	1.2	1.35	1.77	3.7	4.8	5.14	6.28			
SR7(0°-90°)	---	2.48	2.56	2.64	2.73	2.91	3.16	4.26	4.4	4.76	5.77	8.4	16.4	17.8			
SR7(90°-0°)	---	0.46	0.54	0.62	0.71	0.84	0.89	1.18	1.33	1.75	3.5	4.6	5.12	6.26			
SR8(0°-90°)	---	2.5	2.58	2.66	2.75	2.93	3.18	4.28	4.62	4.78	5.75	8.42	16.42	17.6			
SR8(90°-0°)	---	0.44	0.52	0.6	0.69	0.82	0.87	1.16	1.31	1.73	3.48	4.58	5.1	6.24			
SR9(0°-90°)	---	2.52	2.6	2.68	2.77	2.95	3.2	4.3	4.64	4.8	5.77	8.44	16.44	17.8			
SR9(90°-0°)	---	0.42	0.5	0.58	0.67	0.8	0.85	1.14	1.29	1.71	3.46	4.56	4.9	6.2			
SR10(0°-90°)	---	2.54	2.62	2.7	2.79	2.97	3.22	4.32	4.66	4.82	5.79	8.46	16.6	18			
SR10(90°-0°)	---	0.4	0.48	0.56	0.65	0.78	0.83	1.12	1.27	1.69	3.44	4.54	4.98	6.18			
SR11(0°-90°)	---	2.56	2.64	2.72	2.81	2.99	3.24	4.34	4.68	4.82	5.8	8.48	16.8	18.2			
SR11(90°-0°)	---	0.38	0.46	0.54	0.63	0.76	0.81	1.1	1.25	1.67	3.42	4.52	4.86	6.16			
SR12(0°-90°)	---	2.58	2.66	2.74	2.83	3.01	3.26	4.36	4.68	4.84	5.83	8.5	17	18.4			
SR12(90°-0°)	---	0.36	0.44	0.52	0.61	0.74	0.79	1.08	1.22	1.65	3.4	4.5	4.84	6.14			

## Order Information

Actuator Body Material	Model	Spring Set	Seal Material	Option
	NK-032			
Aluminum Alloy Body	NK-052	Blank (Double Acting Actuator)		
NKD (Double Acting Actuator)	NK-063			
(Spring Return Actuator)	NK-075	05		
	NK-083	06		
	NK-092	07	Standard: NBR	
316SS Body	NK-105	08		(0-120° operation)
NKD-S6 (Double Acting Actuator)	NK-125	09	HT ( High Temperature ) : Viton	
NKS-S6(Spring Return Actuator)	NK-140	10		(0-180° operation)
	NK-160	11	LT ( Low Temperature ) : HNBR	
	NK-190	12		
304SS Body	NK-210			
NKD-S4(Double Acting Actuator)	NK-240			
NKS-S4(Spring Return Actuator)	NK-270			
	NK-300			
	NK-350			
	NK-400			

Note: The part numbers are represented as the following: Type-Model-Spring Set-Seals-Options

### IEC/ATEX/FM/CSA Approved



3/2 & 5/2 way in-line & Namur Mounted Solenoid Valve.

1. Spool valve structure
  2. Static seal design
  3. Material in aluminum & **316SS**
  4. Encapsulated coil in NASS coil
  5. EExdIICT6 coil enclosure in Aluminum & **316SS**.
- Approved by ATEX & NEPSI.

### NEPSI Approved



### Rotary & Linear Type E/P Positioner

1. The optional output signal: mechanical switch & 4-20mADC feedback
2. The optional accessories: air filter regulator or dome type indicator(only in IP66, rotary type)
3. Enclosure in IP66, EExdIIBT6 & EExdIICT6(Approved by ATEX & NEPSI)

### ATEX / NEPSI Approved



### Position Monitoring Switchbox

1. Sensor Type:  
Mechanical Type (2,3 or 4 x SPDT, DPDT)  
Proximity Type (Autonis, P+F, Truck ...)
2. The optional output signal: 4-20mADC or 0-5K/10K ohm potentiometer
3. Housing material in aluminum or **316SS**
4. Enclosure in IP67, EExdIIBT6 & EExdIICT6 (Approved by ATEX & NEPSI)
5. IP68 enclosure tested in 30M / 24Hours



### Manual Override (Declutchable Wormgear Operator)

1. Cast Iron/Aluminum Body:  
The output torque: 300/ 700/ 1,200/ 2,000/ 3,100Nm
2. Ductile Iron Body:  
The output torque: 12,000/ 18,000/ 25,000/ 32,000/ 70,000Nm  
The actuator & valve connection complies with ISO5211 standard



### Air Filter Regulator

1. 5um filtration & high flow capacity
2. Panel Mounting is optional
3. 1/4" vented spring case is optional
4. Housing material in aluminum & **316SS**

316SS

### Butterfly Valves



### Center-Line Soft-Seated Butterfly Valve

1. Wafer/Lug Valve:

Dimensions: 2" ~ 56"

Pressure Rating: PN10-16/ANSI125-150LB/JIS10-16K

2. Double Flanged Valve:

Dimensions: 2" ~ 48"

Pressure Rating: PN10-16/ANSI125-150LB

3. Wafer/Lug Valve (PTFE/PFA Lined):

Dimensions: 2" ~ 24"

Pressure Rating: PN10-16/ANSI125-150LB

Operation: Hand-Lever, Wormgear Operator, Pneumatic and Hydraulic Actuators, Electric Actuators.

### Triple Offset Bi-Directional Metal Seat Butterfly Valve

(Bubble Tight, Replaceable Disc Ring & Valve Seat)

### High Performance Double Eccentric Butterfly Valve



### Triple Offset Metal-Seated Butterfly Valve

Wafer/Lug/Double Flanged/Butt Weld Type:

1. Dimensions: 2 ~ 80

Pressure Rating: PN10-25/ANSI150-300LB

2. Dimensions: 3 ~ 24

Pressure Rating: PN40-100/ANSI600-1500LB

Operation: Wormgear Manual Override

Pneumatic and Hydraulic Actuators, Electric Actuators.

### High Performance Double Eccentric Butterfly Valve

Wafer/Lug/Double Flanged/Butt Weld Type:

1. Dimensions: 2 ~ 24

Pressure Rating: PN10-25/ANSI150-300LB

### Ball Valve



### Ball Valve ( Floating Ball)

1. Dimensions: 1/4 - 4 , 1000WOG/2000WOG, Full Port, thread /Butt Weld/Socket Weld / Tube End Connection.

2. Dimensions: 1/2 - 8

3. Pressure Rating: PN10-PN40/ANSI150-300LB/  
JIS10-20K

Operation: Wormgear Manual Override, Pneumatic and Hydraulic Actuators, Electric Actuators.

### Plastic Ball Valve & Butterfly Valve



#### 1. Double Union Ball Valve (Pressure Rating:150PSI)

Dimensions: 1/2 ~4

Body/Ball/Stem Material: UPVC,CPVC,PVDF,PP,ABS

Seal : PTFE

O-Rings: EPDM, FPM

End Type: Treated/Socket/Flanged



#### 2. Wafer Type Butterfly Valve

Dimensions: 2 ~24

Body Material: UPVC, CPVC, PVDF, PP

Disc Material : CPVC, PVDF, PP

Stem Material : 410SS, 304SS, 316SS

Seat Material: EPDM, FPM

O-Rings: EPDM, FPM

### Dual Plate Check Valve

#### Retainerless Type Metal Seat



Full Liner Rubber Seat

#### 1. Full Liner & Rubber Seat:

Dimensions: 1-1/2 ~80 ,

Pressure Rating: PN10-PN40/ ANSI125-150LB/  
JIS10-20K

#### 2. Metal Seat(Retainerless Type):

2-1) DN40-DN1000, ANSI150LB

2-2) DN40-DN600, ANSI300LB

2-3) DN40-DN300, ANSI600LB~2500LB

**NUTORK CORP.** manufactures a wide range of pneumatic actuators, electric actuators and the accessories of pneumatic actuator (limit switchbox, solenoid valve, manual override ---etc.) for quarter turn valves

Nutork Corp. supply the following product range:

	<p><b>NK series rack &amp; pinion type (CE-ATEX certified and PED compliant)</b>          14 models, the output torque from 9Nm(80in.lbs) to 3,920Nm(34,660in.lbs) at 6 bar air supply. ISO5211/DIN3337 for valve connection, VDI/VDE 3845(Namur) standard connection for solenoid valve and shaft top end(limit switchbox or E/P positioner), +/-5 degree stroke adjustment. 25-30um standard hard anodized treatment on actuator body and over 120um epoxy coated on end caps which meet ASTM B117 qualification(salt spread test over 1,000 hours and no corrosion).</p> <p><b>PTFE, Polyester, Nickel, Ceramic and Epoxy coated are available on request.</b></p>
	<p><b>NSF series scotch yoke type pneumatic and hydraulic actuators (CE-ATEX certified and PED compliant)</b>          The output torque from 978Nm(8,656in.lbs) to 226,200Nm (2,001,870in.lbs) at 6 bar air supply. Anti-corrosion painting on outer body and cylinder as standard. VDI/VDE 3845(Namur) standard connection for shaft top end(limit switchbox or E/P positioner), +/-10 degree stroke adjustment. ISO5211 standard for valve connection. PTFE coated on inner cylinder surface. Hydraulic manual override is available for big size actuator.</p>
	<p><b>NTE series electric actuator, CE approval</b>          13 models and the output torque from 18Nm(159in.lbs) to 6000Nm(53,106in.lbs), compact design, die-casting aluminum alloy housing, alloy steel with heat treatment gear driving unit, integral wormgear &amp; drive shaft, 30% duty rating, detachable crank handle, ISO5211(option), IP67 enclosure.IP68 for option.</p>
	<p><b>NTE-02L Quarter Turn Electric Actuator</b>          Output torque 25Nm(222in.lbs),operation time 10Sec;voltage 24VAC,110VAC &amp; 220VAC for option,ABS housing, 30% duty rating,IP65 enclosure.</p>
	<p><b>NTQ electric actuator, CE approval(IP67 &amp; EExdIIBT4 enclosure)</b>          13 models, the output torque from 100Nm(885in.lbs) to 6,000Nm(53,106in.lbs), de-clutchable manual override, 2xSPDT each for open &amp; close, torque switch: 1xSPDT each for open &amp; close. space heater, self-lock, IP67 &amp; EExdIIBT4 enclosure.</p>
	<p><b>The fully range accessories(Limit Switchbox, Solenoid Valve, Declutchable Manual Override, Air Filter regulator, E/P Positioner ---etc).</b></p>

## NUTORK Corp.

### USA Office:

5010 Wright RD. Suite 200B Stafford,  
TX 77478

Tel: +1-281-222-0018

Email: nutork-usa@nutork.com

Website: www.nutork.com

### China Office:

No.10,Lane 899, Zhuguang Road,  
Qingpu Area, Shanghai,China

Tel: 021-59887103/59888463/59888436

Fax: 021-59887203

Email: nutork@nutork.com