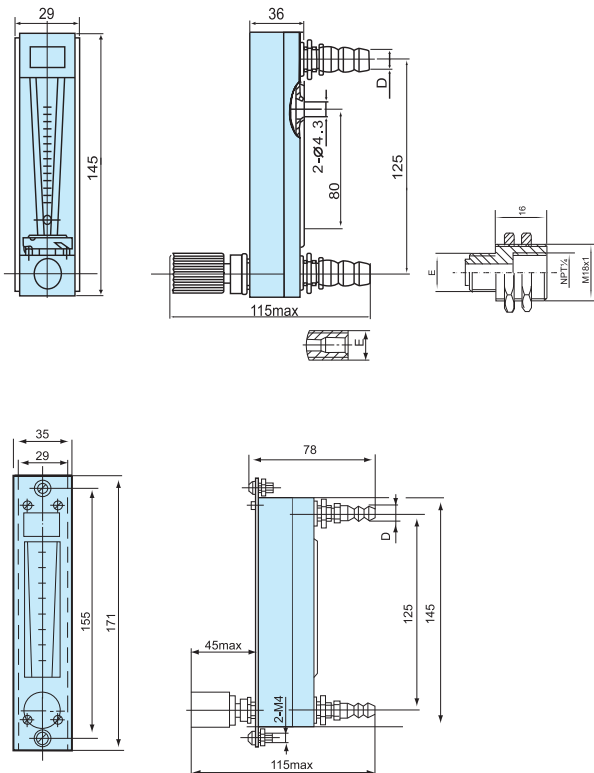


F

DK800S is used for measuring tiny flow. with nice shape, and light-weighted, easy to install and repair. the taper pipe and float can be changed without separating the whole machine into pieces. the flow scale is clear and acute, which is widely used in the chemical, petroleum, medical, food environmental protection and scientific research departments, for measuring one phase non-pulsating fluid (liquid or gas).

- Working temperature limit: 120°C
- Accuracy: ±2.5%
- Working pressure limit: 1.0Mpa



Specifications

DN (mm)	Model	Measuring range		Float material
		Water L/h	Air L/h	
3	DK800S-3	0.15~1.5	0.18~1.8 0.36~3.6	agate
4	DK800S-4	0.25~2.5	0.5~5 0.8~8 1.6~16 6~60	304SS
6	DK800S-6	0.5~5 1.2~12 2~20 2.5~25 4~40 6~60 10~100 16~160 20~200	10~100 25~250 50~500 80~800 100~1000 180~1800 240~2400 300~3000 350~3500 430~4300	

Sizes (mm)

Model	D	E	Internal diam.	Weights (KG)
DK800S-3	ø11.5	M10x1 BSP1/4"	1/4NPT female	0.45
DK800S-4			1/4NPT female	
DK800S-6			1/4BSP female 1/4BSP female 11.5	

DK800S

How to order

