

# PLASTICS VALVE

**TUMANNY**

- 球型逆止閥 / Ball Check Valve

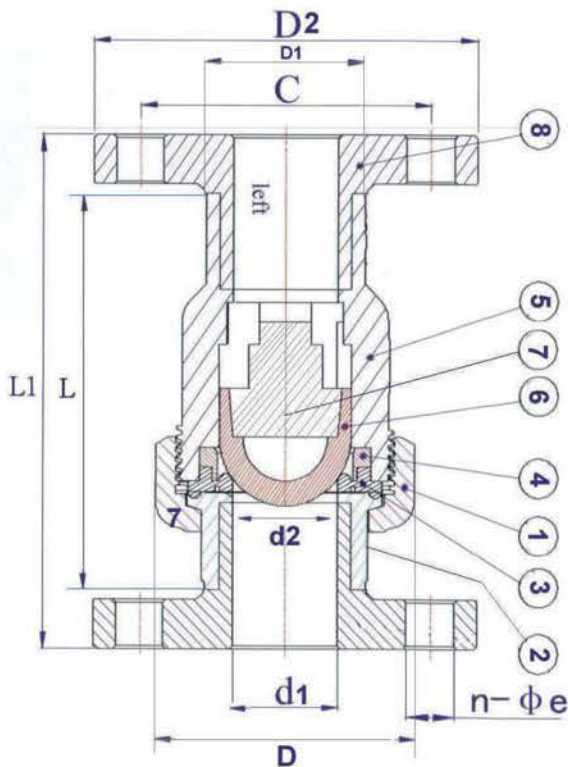
Item : JP-460

Size : 1/2" ~ 4"

Joint End : Socket (ANSI/CNS/DIN/JIS)

Flanged(ANSI/CNS/DIN/JIS)

Working Pressure: 150 PSI



NO.	PART	MATERIAL	Q'TY
1	UNION END	UPVC	1
2	UNION NUT	UPVC	1
3	SPACER	UPVC	1
4	SEAL	EPDM	1
5	BODY	UPVC	1
6	SPIGOT	UPVC	1
7	BALL	UPVC	1
8	FLANGE	UPVC	1

Unit: mm

SIZE	Nom.	d 1				d 2				D1	D	D2	L	L1	n-φ e
		ANSI	DIN	JIS	CNS	ANSI	DIN	JIS	CNS						
DN15 (1/2")		21.54	20.30	22.30	22.40	21.23	20.10	21.70	21.9	30	53	95	90	118.4	4-15
DN20 (3/4")		26.87	25.30	26.30	26.40	26.57	25.10	25.70	25.9	35	63	100	106	134.4	4-15
DN25 (1")		33.65	32.30	32.33	34.50	33.27	32.10	31.67	33.9	43	73	125	124	155.2	4-19
DN32 (1-1/4")		42.42	40.30	38.43	42.50	42.04	40.10	37.57	41.9	53	85	140	139	171	4-19
DN40 (1-1/2")		48.56	50.30	48.46	48.60	48.11	50.10	47.54	47.9	62	97	140	151	187	4-19
DN50 (2")		60.63	63.30	60.56	60.60	60.17	63.10	59.44	59.9	75	118	165	169	203	4-22
DN65 (2-1/2")		73.38	75.30	76.60	76.70	72.85	75.10	75.87	75.9	91	134	175	230	276	4-19
DN80 (3")		89.31	90.40	89.60	89.70	88.70	90.10	88.83	88.9	110	158	200	262	307	8-24
DN100 (4")		114.76	110.4	114.7	115.0	114.1	110.10	113.98	113.8	135	202	220	346	396	8-26

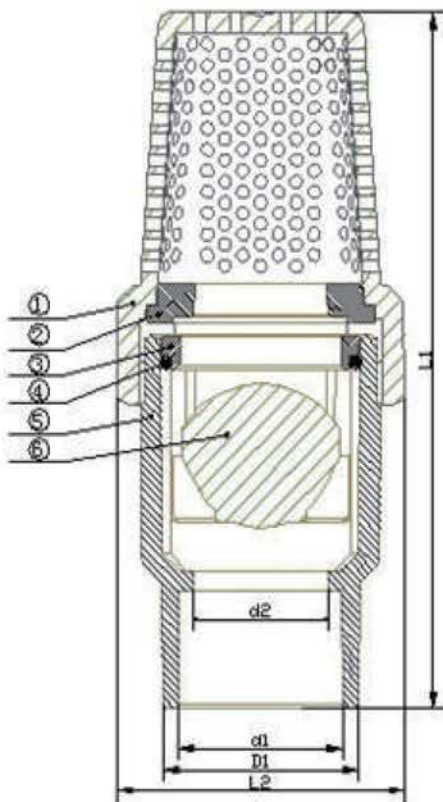
- 福特閥 / Foot Valve

Item : JP-470

Size : 3/4" ~ 4"

Joint End : Socket (ANSI/CNS/DNS/JIS)

Working Pressure: 150 PSI



NO.	PART	MATERIAL	Q'TY
1	FILTER	UPVC	1
2	PAD	UPVC	1
3	SPACER	UPVC	1
4	SEAL	EPDM	1
5	BODY	UPVC	1
6	BALL	UPVC	1

Unit: mm

SIZE	Nom.	d 1				d 2				D1	L1	L2
		ANSI	DIN	JIS	CNS	ANSI	DIN	JIS	CNS			
DN15(1/2")												
DN20(3/4")		26.87	25.30	26.30	26.40	26.57	25.10	25.70	25.9	43	174	73
DN25(1")		33.65	32.30	32.33	34.50	33.27	32.10	31.67	33.9	53	190	85
DN32(1-1/4")		42.42	40.30	38.43	42.50	42.04	40.10	37.57	41.9	62	206	97
DN40(1-1/2")		48.56	50.30	48.46	48.60	48.11	50.10	47.54	47.9	75	235	118
DN50(2")		60.63	63.30	60.56	60.60	60.17	63.10	59.44	59.9	91	302	134
DN65(2-1/2")		73.38	75.30	76.60	76.70	72.85	75.10	75.87	75.9	110	350	158
DN80(3")		89.31	90.40	89.60	89.70	88.70	90.10	88.83	88.9	135	428	202
DN100(4")		114.76	110.4	114.7	115.0	114.1	110.10	113.98	113.8	35	146	63