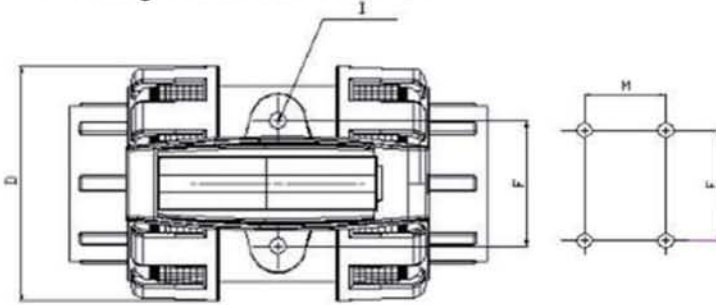
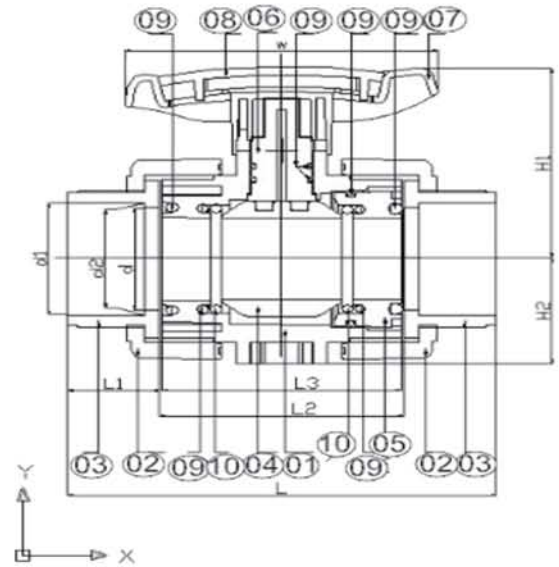


● 雙由令球閥 / True Union Ball Valve

Item : JP-640
 Size : 1/2" ~ 2"
 Joint End : Socket (ANSI/CNS/DNS/JIS)
 Threaded (PT/NPT/BSPF)
 Working Pressure: 150 PSI



NO.	PART	MATERIAL	Q'TY
1	BODY	UPVC/CPVC/PP	1
2	UNION NUT	UPVC/CPVC/PP	2
3	UNION END	UPVC/CPVC/PP	2
4	BALL	UPVC/CPVC/PP	1
5	THREADED SPACER	UPVC/CPVC/PP	1
6	STEM	UPVC/CPVC/PP	1
7	HANDLE	ABS	1
8	HANDLE CAP	ABS	1
9	ORING	EPDM/VITON	7
10	SEAT	PTFE	2



Nom. SIZE	d 1				d 2			
	ANSI	DIN	JIS	CNS	JIS	DIN	JIS	CNS
DN15 (1/2")	21.54	20.30	22.30	22.40	21.23	20.10	21.70	21.9
DN20 (3/4")	26.87	25.30	26.30	26.40	26.57	25.10	25.70	25.9
DN25 (1")	33.65	32.30	32.33	34.50	33.27	32.10	31.67	33.9
DN32 (1-1/4")	42.42	40.30	38.43	42.50	42.04	40.10	37.57	41.9
DN40 (1-1/2")	48.56	50.30	48.46	48.60	48.11	50.10	47.54	47.9
DN50 (2")	60.63	63.30	60.56	60.60	60.17	63.10	59.44	59.9

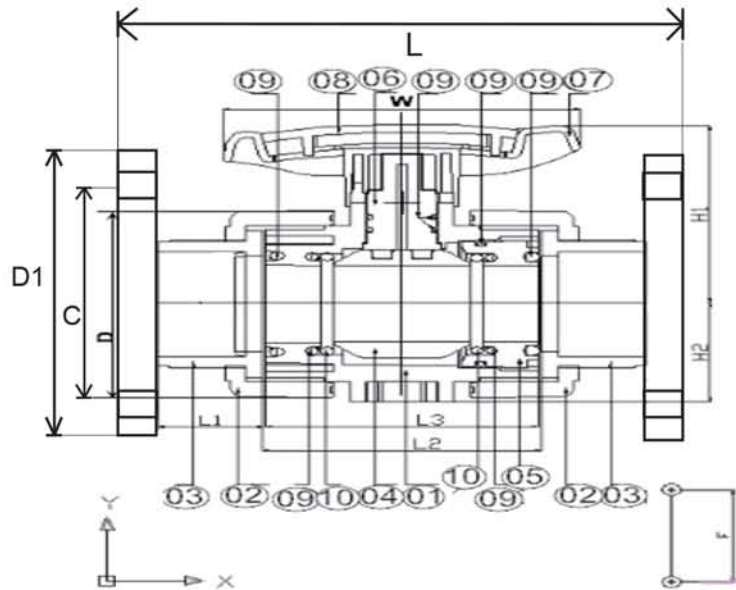
Unit: mm

Nom. Size	D	L	H1	H2	L1	L2	L3	W	I	F	Operating torque (N · M)
DN15 (1/2")	53.8	110.2	49.3	27.5	21.8	68.0	55.8	75.0	M6	31.0	3.0
DN20 (3/4")	64.8	120.2	63.0	33.5	25.4	70.5	59.6	92.0	M6	33.0	3.5
DN25 (1")	76.0	138.5	73.0	39.0	27.8	83.5	73.5	93.8	M6	40.0	4.0
DN32 (1-1/4")	85.8	162.8	86.0	43.5	32.0	92.0	82.0	110.0	M8	45.0	4.5
DN40 (1-1/2")	91.5	170.0	95.5	48.0	28.0	98.0	87.0	115.0	M8	52.0	5.0
DN50 (2")	122.0	205.0	113.0	62.0	38.0	126.0	115.0	146.0	M8	70.0	5.5

● 法蘭式球閥 / Flanged Type True Union Ball Valve

Item : JP-640F
 Size : 1/2" ~ 4"
 Joint End : Flange End (ANSI/CNS/DIN/JIS)
 Working Pressure: 150 PSI

NO.	PART	MATERIAL	Q'TY
1	BODY, FLANGE	UPVC/CPVC/PP	1
2	UNION NUT	UPVC/CPVC/PP	2
3	UNION END	UPVC/CPVC/PP	2
4	BALL	UPVC/CPVC/PP	1
5	THREADED SPACER	UPVC/CPVC/PP	1
6	STEM	UPVC/CPVC/PP	1
7	HANDLE	ABS	1
8	HANDLE CAP	ABS	1
9	ORING	EPDM/VITON	7
10	SEAT	PTFE	2



Unit: mm

Nom. Size	D	d	C			H1	H2	L2	W	I	F	D1	L	n-φe	
			ANSI	JIS	DIN									ANSI	JIS
DN15 (1/2")	53.8	15	60.3	70	65	49.3	27.5	68.0	75.0	M6	31.0	95	139.2	4-15	
DN20 (3/4")	64.8	20	70.0	75	75	63.0	33.5	70.5	92.0	M6	33.0	100	148.6	4-15	
DN25 (1")	76.0	25	79.4	90	85	73.0	39.0	83.5	93.8	M6	40.0	125	169.7	4-19	
DN32 (1-1/4")	85.8	32	88.9	100	100	86.0	43.5	92.0	110.0	M8	45.0	140	194.8	4-19	
DN40 (1-1/2")	91.5	40	98.4	105	110	95.5	48.0	98.0	115.0	M8	52.0	140	206	4-19	
DN50 (2")	122.0	50	120.7	120	125	113.0	62.0	126.0	146.0	M8	70.0	165	245	4-22	
DN65 (2-1/2")	148.0	65	139.5	140	145	132	74.0	120.5	170	M10	84	175	281.6	4-19	
DN80 (3")	178.2	75	152.4	150	160	156	89.1	139.5	221	M10	84	200	303.5	8-24	
DN100 (4")	218.9	97	190.5	175	180	173	109.5	165	250	M10	84	220	353.0	8-26	