

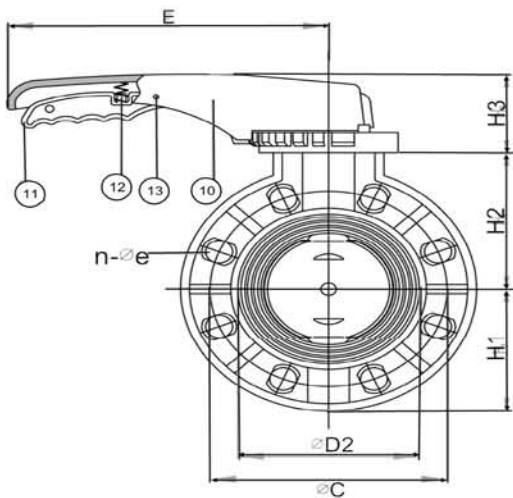
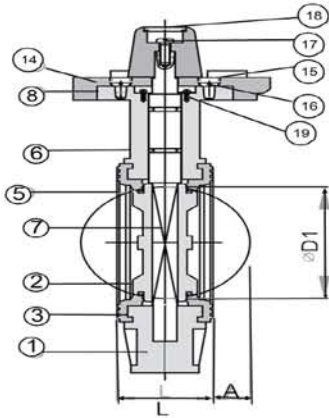
## ● 手動式蝶閥 / Butterfly Valve (Lever Type)

Item : JP-810

Size : 2" ~ 8"

Joint End : Flange End (ANSI/CNS/DIN/JIS)

Working Pressure: 150 PSI



NO.	PART	MATERIAL	Q'TY
1	BODY	PVC	1
2	DISC	PVC	1
3	SEAT	EPDM/ VITON	1
5	STABILIZING RING	SS304	2
6	STEM O-RING	EPDM	1
7	VALVE STEM	SS304/ SS316	1
8	SHAFT RETAINER	SS304	1
10	HANDLE LEVER	ABS	1
11	TRIGGER	ABS	1
12	SPRING	SS304	1
13	PIN	SS304	1
14	POSITION LOCK PLATE	PVC	1
15	PLATE CAP	PVC	4
16	PLATE SCREW	SS304	4
17	HANDLE BOLT	SS304	1
18	HANDLE CAP	ABS	1
19	SHAFT RETAINER SCREW	SS304	2

Unit: mm

Nom. Size	L	A	C	n-e		D1	D2	E	H1	H2	H3	Operating torque	
				JIS	DIN/ANSI							(FT*LB)	(N*M)
2"	44.5	4.8	123	4-20		54	85.8	220	79	88	74	25	34
2-1/2"	48.0	9.5	143	4-21		67	104.5	220	90	97	74	25	34
3"	53.0	15.0	157	8-21		83	119.5	249	96	115	74	25	34
4"	57.0	22.0	186	8-21		101	141.0	249	110	128	74	25	34
5"	68.0	29.5	213	8-24		127	171.5	320	127	157	96	40	54
6"	73.0	39.5	240	8-24		152	197.0	320	145	170	96	40	54
8"	92.0	54.0	296	12-24	8-24	200	249.0	335	172	213	96	59	80

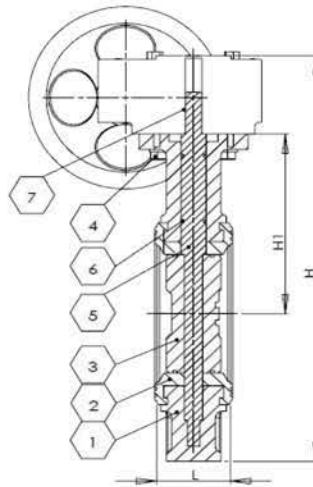
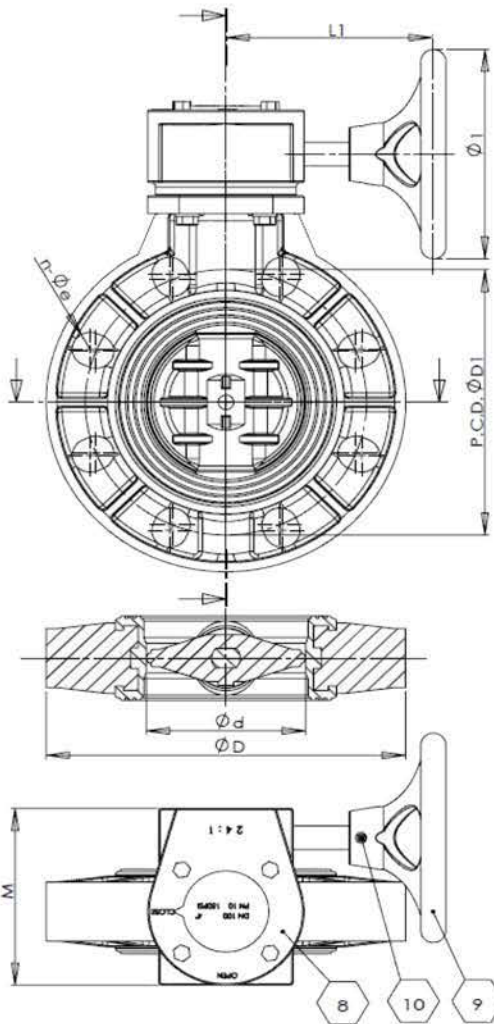
## ● 齒輪式蝶閥 / Butterfly Valve (Worm Gear Type)

Item : JP-820

Size : 10" ~ 16"

Joint End : Flange (ANSI/CNS/DIN/JIS)

Working Pressure: 150 PSI



NO.	PART	MATERIAL	Q'TY
1	BODY	PVC/CPVC	1
2	DISC	PVC/CPVC	1
3	SEAT SEAL	EPDM/ VITON	1
5	STEM	SS304	1
6	STEM O-RING	EPDM/VITON	4
7	KEY	STEEL	1
8	GEAR BOX	IRON	1
9	HAND WHEEL	IRON	1
10	PIN	STEEL	1

Unit: mm

Nom. Size	ØD	Ød	L	P.C.D. ØD1			Ø1	L1	H1	H	M	N	n-Øe		
				JIS	DIN	ANSI							JIS	DIN	ANSI
10"	412	255	98	355	350	362	280	220	260	551	180	130	12-Ø25	12-Ø25	12-Ø25
12"	460	302	108	400	400	432	280	220	280	595	180	130	16-Ø25	12-Ø25	12-Ø25
14"	500	345	88	445	460	476	380	280	410	670	250	220	16-Ø25	16-Ø25	12-Ø29
16"	565	395	98	510	515	540	380	280	490	770	250	220	12-Ø27	16-Ø27	16-Ø29